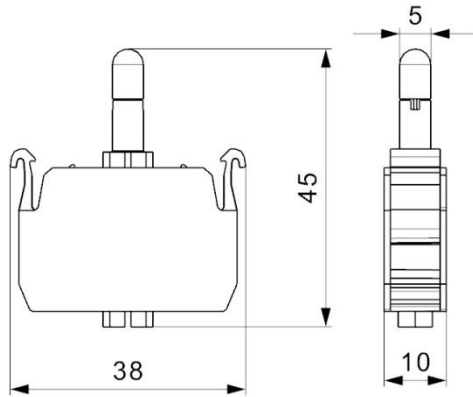


Technical Specification : CB5, CB6, CB7, CB8 & CB9



**Order Code:**

CB5 (White), CB6 (Red), CB7 (Blue), CB8 (Yellow), CB9 (Green)

**Contact Block:**

12-30V AC/DC LED

Terminals with finger protection.  
 Fireproof plastic contact block body.  
 Protective cable inlet tips enabling maximum safety.  
 Screw Washers..

Technical Information

**Body:**

Plastic body.

**General Specifications**

Operating Temperature	-5/+40°C
Electrical Life	0.01 Million hour
C.Block Tightening Torque	0.6 – 0.8 Nm
C.Block Connection Wire Profile	Min: 1 x 0.5 mm <sup>2</sup>
Wire Profile	Max:2 x 2.5 mm <sup>2</sup>
Protection Degree	IP20

**Standards:**

- TS EN 60947 -5-1

In Contact Blocks;



Electrical Information

**General Specifications**

Range Of Use		AC15
Operating Voltage	Ue	12-30V AC/DC
Frequency	f	50Hz
Operating Current	Ie	5-15mA
Insulation Voltage	Ui	300V

