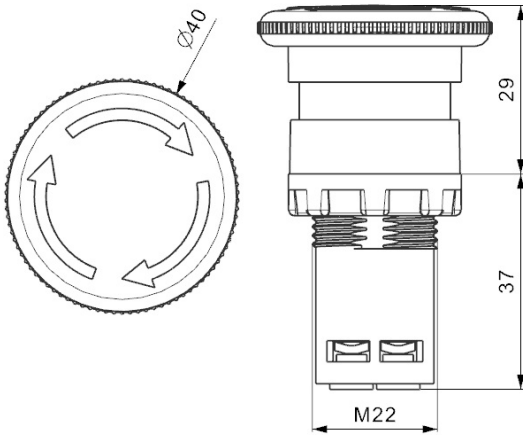


Technical Specification : MB200E



Order Code:

MB200E

Contact Block:

1NC

Terminals with finger protection.

Mono block body.

Protective cable inlet ensures maximum safety.

Screw Washers..

Technical Specification :

Body:

Plastic body.

Option of positioning with plates and Badge Bases.

Standards:

- TS EN 60947 -5-1

In Contact Blocks;

General Specifications

Operating Temperature	-5/+40°C
Mechanical life	0,5 Million (3000 open-close/hour)
Electrical Life	0,1 Million (1800 open-close/hour)
C.Block Tightening Torque	0,5-0,6 Nm
C.Block Connection Wire Profile	Min: 1x0,5 mm ² / Max: 2x2,5 mm ²
Protection Degree	IP40

CE

Electrical Information:

General Specifications

Range Of Use		AC14
Operating Voltage	Ue	240V AC
Freguency	f	50Hz
Operating Current	Ie	D300 (0,3A)
Insulation Resistance	Ui	250V