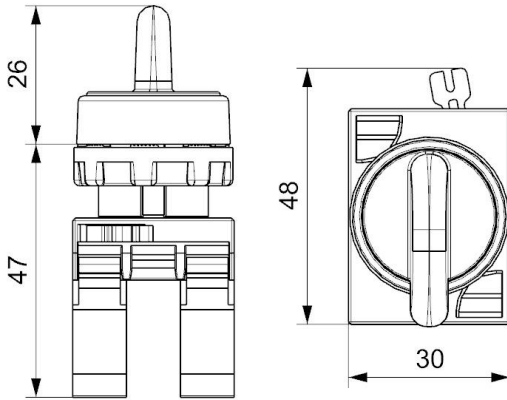


Technical Specification : CP101S30



Order Code:

CP101S30

Contact Block:

2 NO

Terminals with finger protection.

Fireproof plastic contact block body.

Sequential connectable body and contact blocks after lego magic.

Protective cable inlet tips enabling maximum safety.

Screw Washers.

Technical Information

Body:

Plastic Body.

Opportunity of positioning with plates and Badge Bases.

Standards:

- TS EN 60947 -5-1

In Contact Blocks;

- VDE 0660

General Specifications

Operating Temperature	-5/+40°C
Mechanical life	0.5 Million (3000 open-close/hour)
Electrical Life	0.1 Million (1800 open-close/hour)
C.Block Tightening Torque	0.6 – 0.8 Nm
C.Block Connection Wire Profile	Min: 1 x 0.5 mm ²
Wire Profile	Max: 2 x 2.5 mm ²
Protection Degree	IP65



Electrical Information

General Specifications

Range Of Use		AC15
Operating Voltage	U _e	230V AC
Frequency	f	50Hz
Operating Current	I _e	4A
Insulation Resistance	U _i	300V
Stroke Resistance Voltage	U _{imp}	2.5kV
Dielectrical Strength		1500V AC